

LIBRA ACCESSORIES



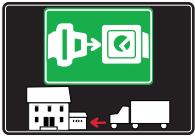
HANGERS





SYMBOLS AND FINISHES LEGEND

SYMBOLS



= SHELF SAFELY LOCKED DURING TRANSPORTATION AND AT HOME.



= ANTI-TURNOVER LOCKING SYSTEM



= NORMS / PATENTS



= PHILLIPS / POZIDRIV



= NEWTON



= PART.NO



= HEXAGONAL SOCKET



= FRICTION



= PCS. PER PACKAGE



= BLADE SLOT



= AUTOMATIC



= CAPACITY LOADING



= COUNTERSUNK HEAD



= WOOD / GLASS THICKNESS



= PAN HEAD



= STANDARD HINGE



= HOLE DIAMETER



= FLANGE HEAD



= KIMANA HINGE



= DIAMETER



= FLAT HEAD



= FLAP HINGE



= LENGTH



= TRILOBULAR SCREW



= WITH SPRING



= HEIGHT



= SELF-TAPPING SCREW



= WITHOUT SPRING



= RIGHT VERSION



= EURO THREAD



= REVERSED SPRING



= LEFT VERSION



= METRIC THREAD



= FOR ROUND TUBE



= PCS. PER PAD



= PRE-INSERTED SCREW AND SPREADING BUSH



= FOR OVAL TUBE



= CUT ON REQUEST



= WITH BUFFER



= WITH MAGNET



= SELF ADHESIVE



= WITH MAGNET



= WITH FLANGE

NOTE: Printing errors and omissions may exist despite our best efforts to ensure accuracy. We reserve the right to alter specifications without notice.

MATERIALS

ZA = Zinc Alloy	ST = Steel	HSS = High Speed Steel	BR = Brass	ABS = Acrylonitrile Butadiene Styrene
ZAnk = Nickel-plated Zinc Alloy	STzk = Zinc-plated Steel	AL = Aluminium	WD = Wood	EVA = Ethylene Vinyl Acetate

EP = **ENGINEERING PLASTIC**


+ **EP** = other engineering plastic available on request

SR = **SOFT RUBBER**

+ **SR** = other soft rubber available on request

EPn = Natural Engineering Plastic	EPc = Clear Engineering Plastic	SRn = Natural Soft Rubber
EPw = White Engineering Plastic	EPg = Grey Engineering Plastic	SRw = White Soft Rubber
EPwg = Water Green Engineering Plastic		SRb = Black Soft Rubber

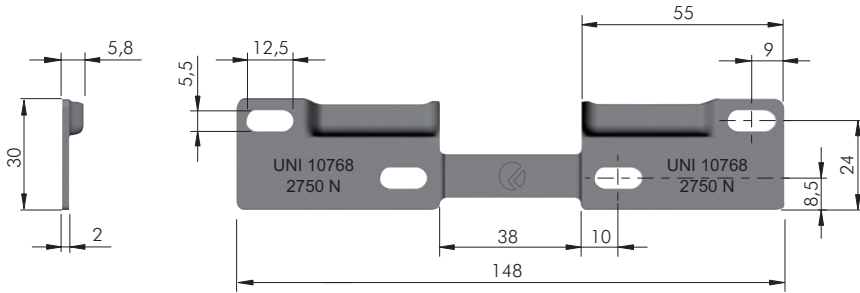
FINISHES

+  = OTHER FINISHES AVAILABLE ON REQUEST

PART. NO	FINISHES	PART. NO	FINISHES	PART. NO	FINISHES
AA	Natural	JB	Bright Aluminium	PZ	Beech
AB	White	JC	Aluminium - Chrome	QA	Maple
AC	Opal White	JD	Matt Aluminium	QB	Walnut
AE	White 9010	JE	Satin-finished Aluminium	WA	Bronzed
AK	Champagne	JF	Aluminium - Brass	WI	Burnished
AL	Ivory	JG	Aluminium 5	XD	Satin-finished Steel
EA	Black	JL	Aluminium PE 11	YA	Nickel-plated
EB	Glossy Black	JM	Aluminium RAL 9006	YB	Bright Nickel-plated
EC	Matt Black	KA	Chrome	YC	Matt Nickel-plated
GR	Raw	KB	Bright Chrome	YD	Satin-finished Nickel-plated
HA	Brass-Plated	KC	Matt Chrome	ZA	Zinc alloy
HH	Tropicalized	MA	Brown	ZN	Zinc-plated
HL	Raw Brass	MB	Light Brown 1	ZQ	Bright Gold
IA	Grey	NN	Metallic Beige	ZY	Titanium
IB	Metallic Grey	NO	Beige	ZZ	Clear
IF	Middle Grey	OA	Oak	00	Insignificant finish
IJ	Light Grey	OZ	Ash		
IL	Grey 20	PA	Light Ash		
JA	Aluminium	PY	Cherry		

LIBRA WALL PLATES

LIBRA WP1



= 2750 N - UNI 10768

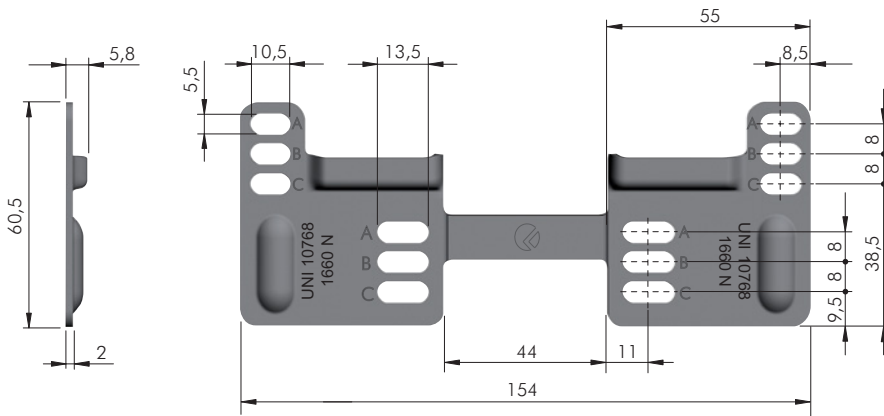
ST = 100 pcs.

123
63450010ZN

NOTE: = stress resistance calculated in Newton according to normative UNI 10768



LIBRA WP2

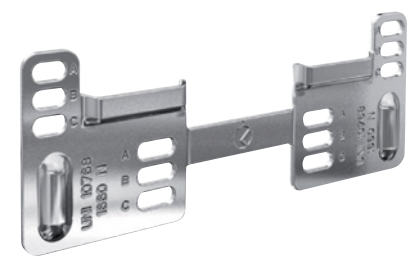


= 1660 N - UNI 10768

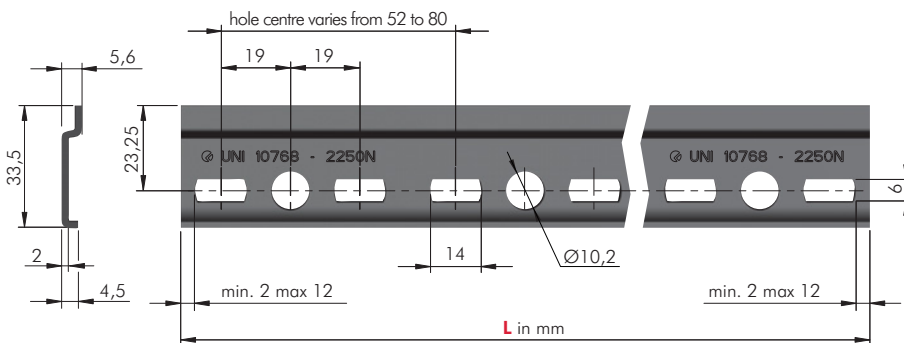
ST = 250 pcs.

123
63450020ZN

NOTE: = stress resistance calculated in Newton according to normative UNI 10768



LIBRA B3



= 2250 N - UNI 10768

ST

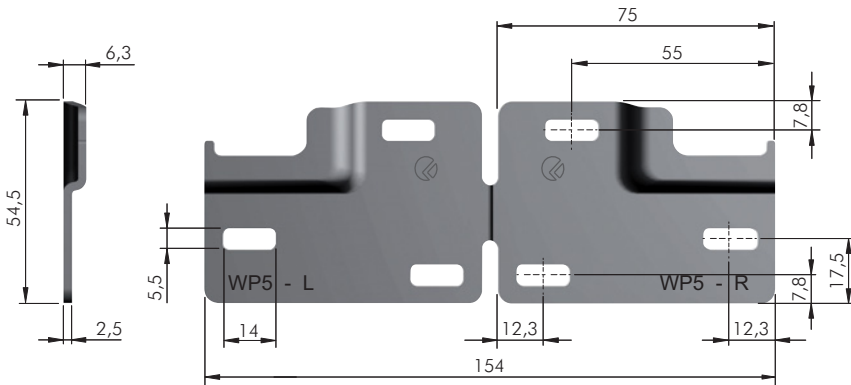
123
6344XXXXZN

NOTE: = stress resistance calculated in Newton according to normative UNI 10768



6344XXXXZN
L = on request

LIBRA WP5



Especially conceived for LIBRA H6 and H7 for heavy duty loading.

= 7750 N - UNI 10768

ST

= 150 pcs.

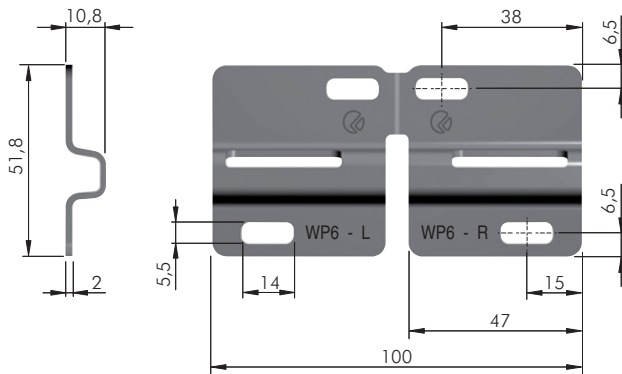


63450050ZN

NOTE: = stress resistance calculated in Newton according to normative UNI 10768



LIBRA WP6 FOR SERVICE GAP 20 mm MINIMUM



= 1150 N - UNI 10768

ST

= 100 pcs.

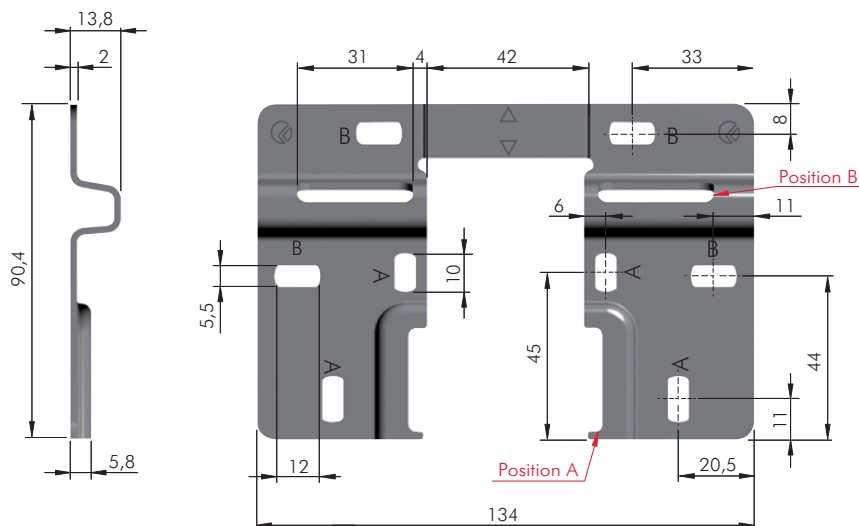


63450060ZN

NOTE: = stress resistance calculated in Newton according to normative UNI 10768



LIBRA WP7



= 1310 N - UNI 10768

ST

= 100 pcs.



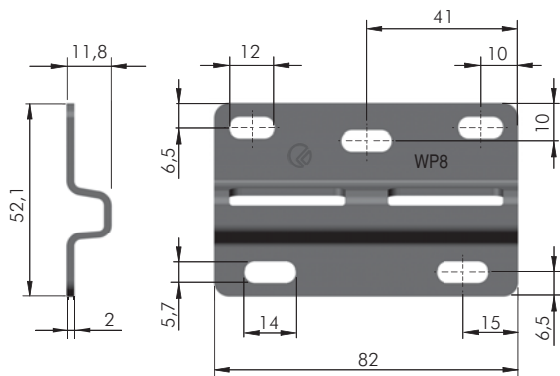
63450070ZN

NOTE: = stress resistance calculated in Newton according to normative UNI 10768



Position A: standard application for regular walls.
Position B: specific application for wall tiles thicker than 8mm.

LIBRA WP8 FOR SERVICE GAP 21 mm MINIMUM

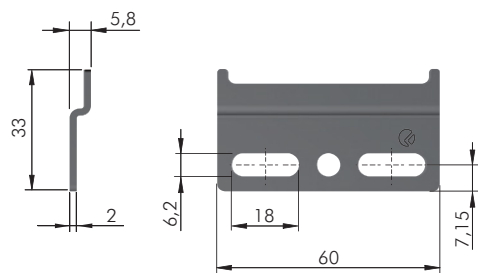


ST = 300 pcs.

63450090Zn



WALL PLATE



= 1210 N - UNI 10768 = 500 pcs.

ST

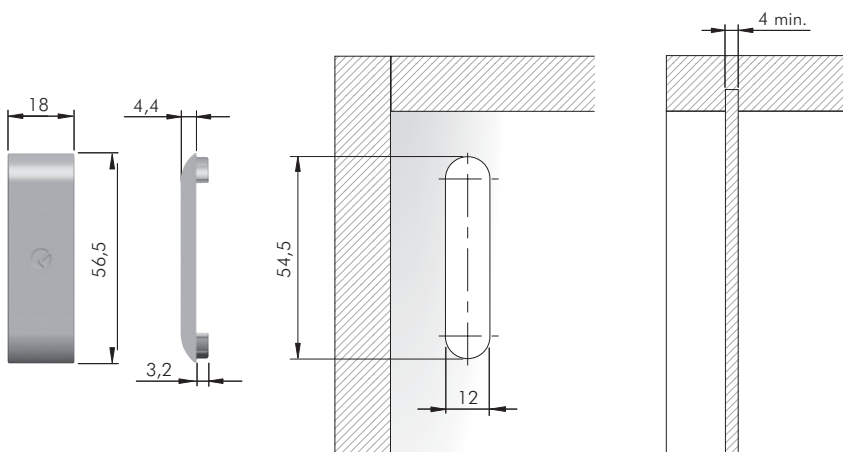
63450100Zn

NOTE: = stress resistance calculated in Newton according to normative UNI 10768



LIBRA COVER CAPS

LIBRA CC1 COVER CAP

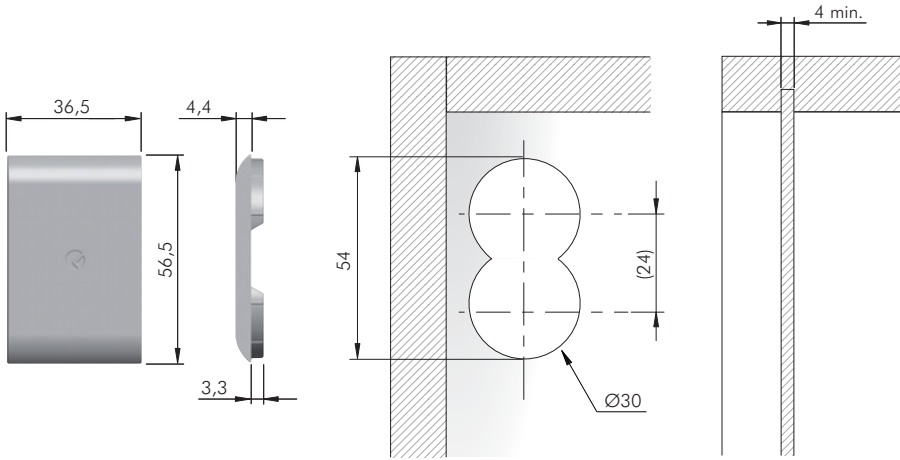


EP +

63461010AB = 3000 pcs.

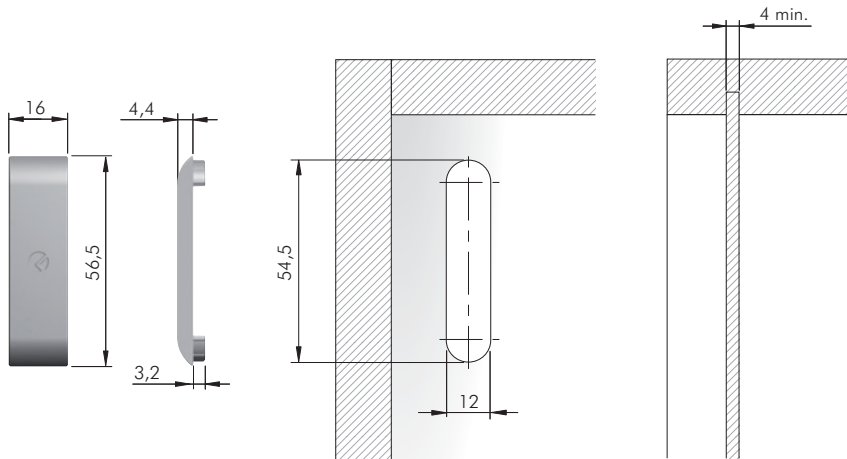


LIBRA CC2 COVER CAP



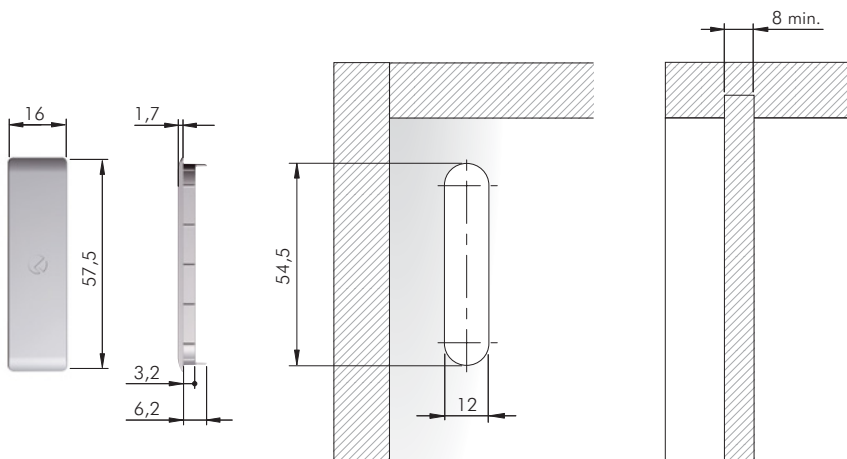
EP	+	= 1500 pcs.
63463010AB		

LIBRA CC4 COVER CAP

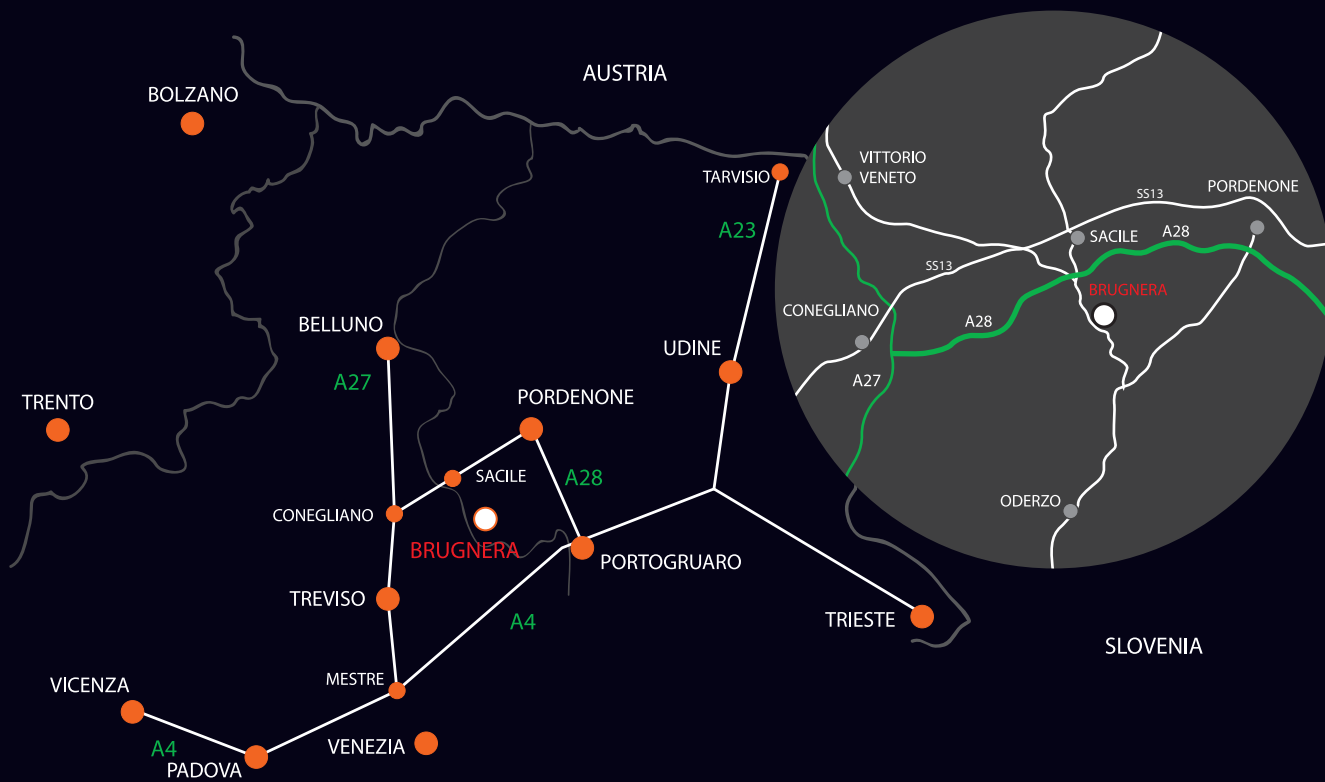


ZA	= 1000 pcs.
63466010YA	

LIBRA CC5 COVER CAP



EP	= 5000 pcs.
63467010AB	



www.italianaferramenta.com